

20m Sender BOM

Resistors:

51 ohm (GRN-BRN-BLK)
 100 ohm (BRN-BLK-BRN)
 4.7K ohm (YEL-VIO-RED)
 10K ohm Qty=2 (BRN-BLK-ORG)

Inductors:

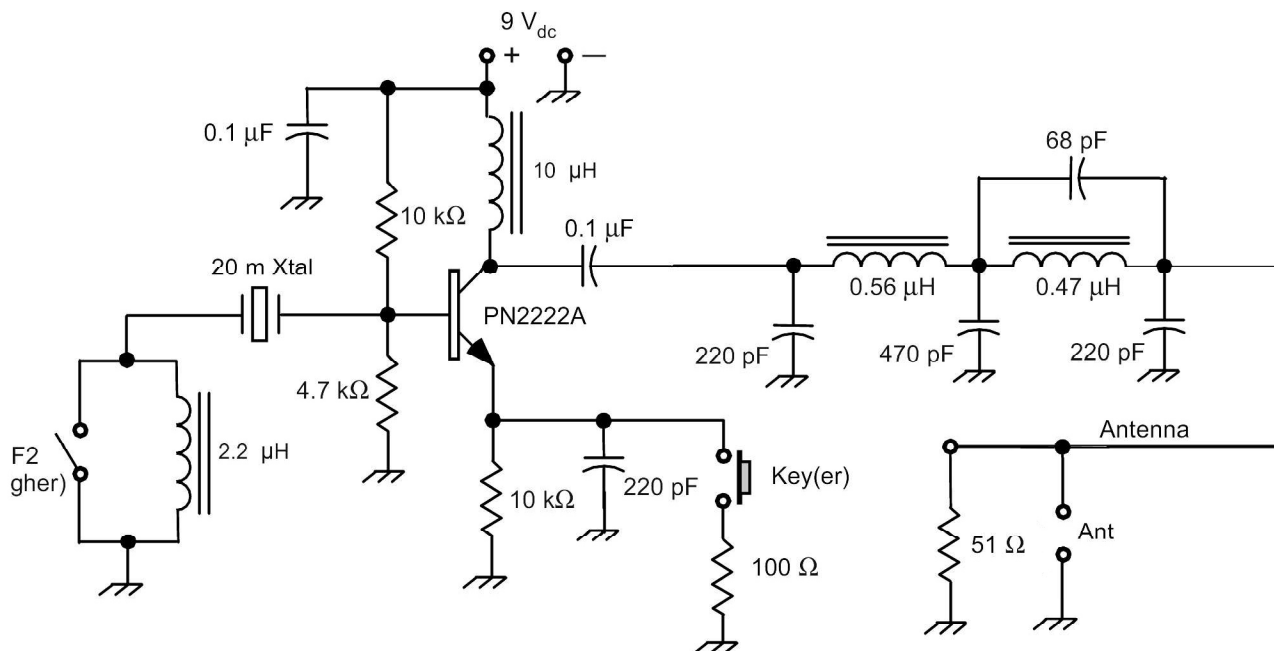
.47uh (YEL-VIO-GLD)
 .56uh (GRN-BLU-GLD)
 2.2uh (RED-RED-GLD)
 10 uh (BRN-BLK-BLK)

Capacitors:

68pf (680)
 220pf Qty=3 (221)
 470pf (471)
 .1uf Qty=3 (104)

Miscellaneous:

PN2222 transistor
 14.060 XTAL
 1x3x.1" SIP socket
 1x3x.1" male header
 1x2x.1" male headers Qty=2
 1x2x.1" header jumpers Qty=2
 1x2x.1" female connector shell
 .1" connector terminals Qty=2
 1 pair pcb 9V battery terminals
 4-40 x 1/4" machine screw Qty=2
 4-40 nut Qty=2
 #4 x 2 thick flat washers Qty=2
 #4 x 2 thin flat washer



20m Sender

Based on K4TWJ's Hamfest Buddy

